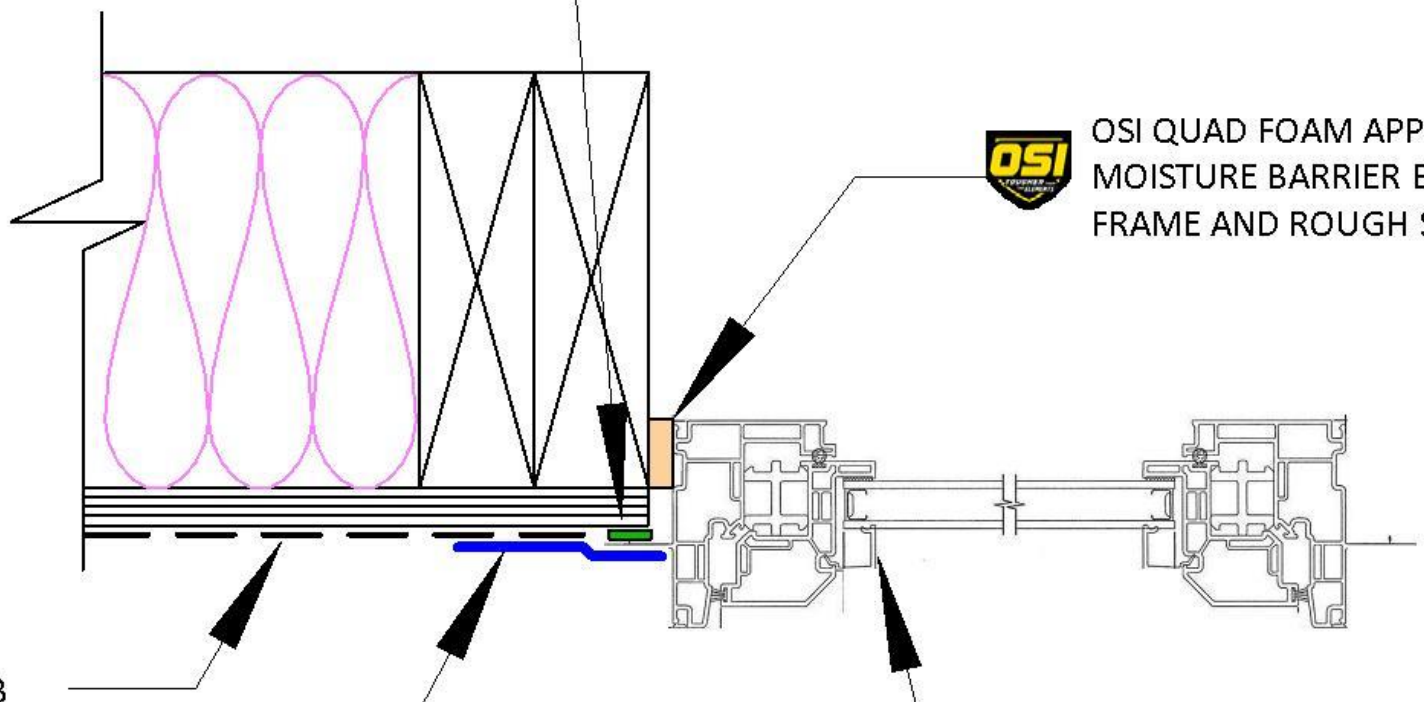


OSI QUAD MAX APPLIED AS A BEDDING SEALANT BETWEEN WINDOW FLANGE AND WALL SURFACE.



OSI QUAD FOAM APPLIED AS AIR AND MOISTURE BARRIER BETWEEN WINDOW FRAME AND ROUGH SIDE JAMB

WRB



OSI BUTYL FLASH OR OSI ACCEPTED FLASHING MEMBRANE APPLIED OVER WINDOW FLANGE AND WRB

FLANGED WINDOW