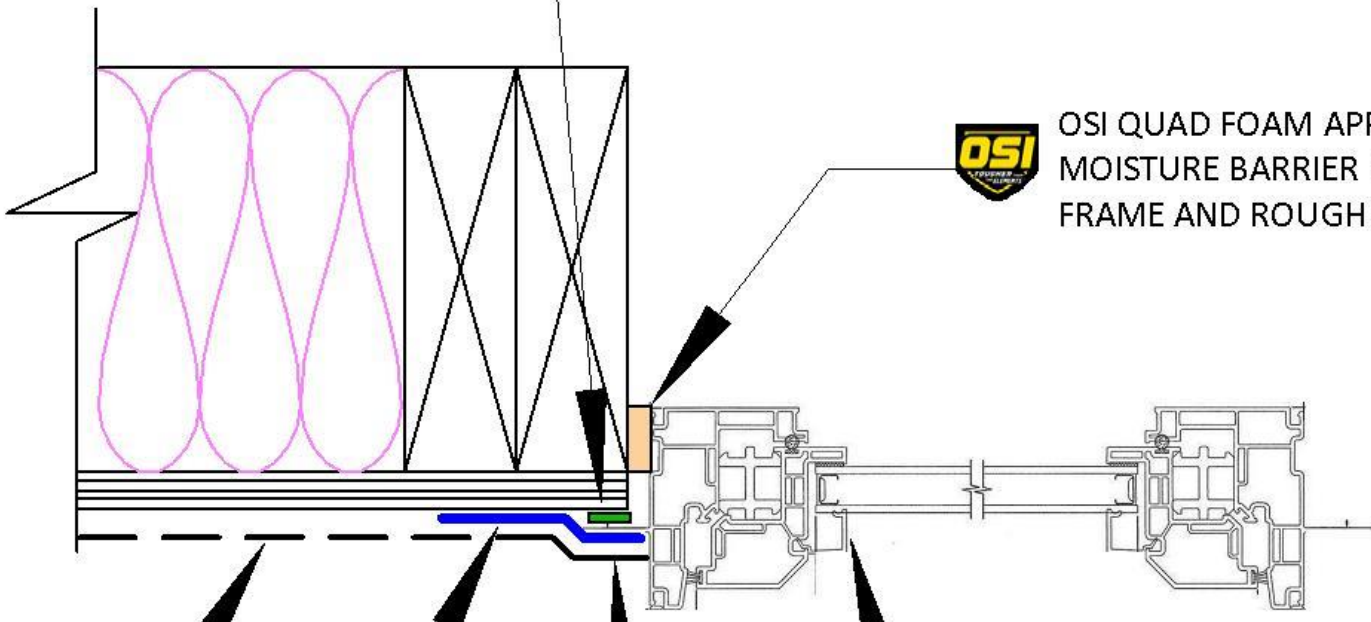


OSI QUAD MAX APPLIED AS A BEDDING SEALANT BETWEEN WINDOW FLANGE AND WALL SURFACE.



OSI QUAD FOAM APPLIED AS AIR AND MOISTURE BARRIER BETWEEN WINDOW FRAME AND ROUGH SIDE JAMB



WRB APPLIED OVER SIDE JAMB FLASHING TAPE

OSI BUTYL FLASH OR OSI ACCEPTED FLASHING MEMBRANE APPLIED OVER WINDOW FLANGE AND WALL SHEATHING



FLANGED WINDOW

SEAL WRB TO FLASHING TAPE WITH WRB JOINT TAPE OR SEALANT