



Logistic Drones

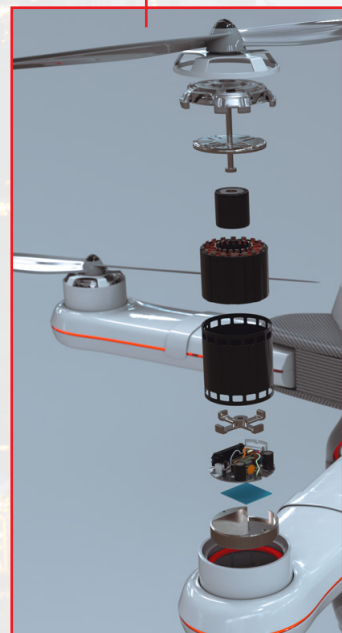
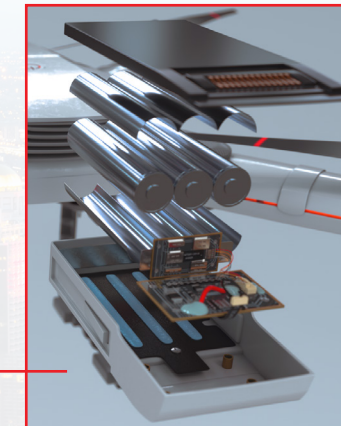
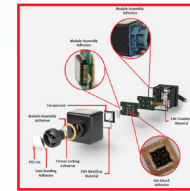
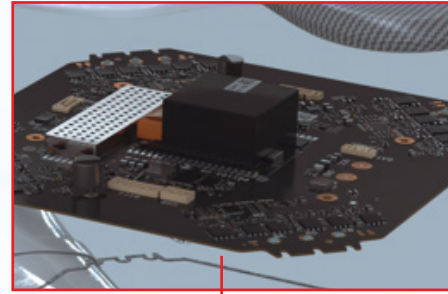
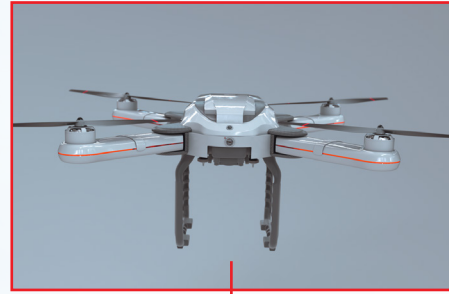
Solutions Guide

Sustainability. Innovation. Urban Air Mobility

MATERIAL SOLUTIONS & APPLICATIONS

LOGISTIC DRONES

Click around for more information!



For full range of products please reach out to us or visit our website.

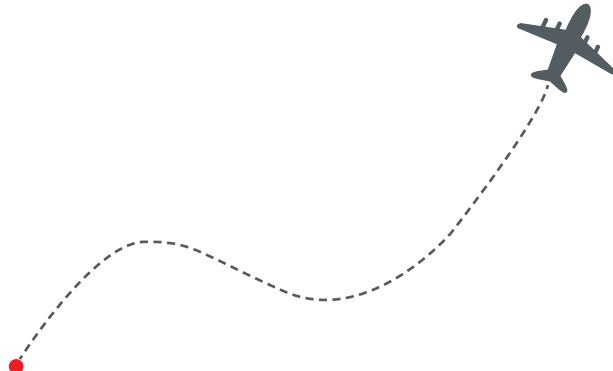


WEBSITE



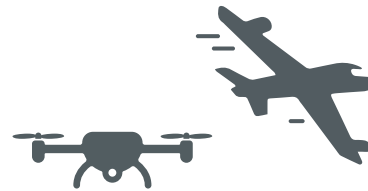
[CONTACT US](#) [OUR BLOG](#) [LINKEDIN](#)

Visit [here](#) for more information



YOUR MATERIAL SOLUTIONS PARTNER IN THE URBAN AIR MOBILITY INDUSTRY

Visit
[henkel-adhesives.com/us/en/industries/
aerospace/advanced-air-mobility.html](https://henkel-adhesives.com/us/en/industries/aerospace/advanced-air-mobility.html)



FIND YOUR AEROSPACE DISTRIBUTOR YOUR PARTNER. IN THE AIR.

Many of our products are available through
distribution.

Please [select from our list](#) of our local
distributors.



NORTH AMERICA
Henkel Corporation Aerospace
P. O. Box 312 2850 Willow Pass Road
Bay Point, CA 94565
United States
Tel.: +1.925.458.8000
Fax: +1.925.458.8030

HENKEL EUROPE
Henkel AG & Co. KGaA
Henkelstraße 67
40589 Düsseldorf
Germany
Tel.: +49-211-797-0
Fax: +49-211-798-4008

ASIA-PACIFIC
Henkel (China) Co. Ltd
No. 928 Zhang Heng Road
Pu Dong, 201203 Shanghai
China
Tel.: +86.21.2891.8882
Fax: +86.21.6360.6070