

PRODUCT DESCRIPTION

The Loctite[®] EQ CL42 Dual LED Controller is a UV-LED flood light source that emits UV light at 365 or 405 nm. The Dual Controller includes a footswitch and AC power cord. The required LED head is purchased separately. This system is suitable for manual work stations as well as integration into automated production lines. The EQ CL42 Dual LED Controller can be operated in a continuous light output mode or up to a 7-step, programmed output mode where the light output intensity and time can be programmed for each separate LED head. The cycle can be initiated with the start/stop button on the front panel; a footswitch (included); or via a PLC connection with an external start signal. This LED light source causes no thermal damage or harmful effects to objects being illuminated. Its low power consumption makes it an energy-saving and environmentally friendly light source. No light guides or lamp replacements are required.



Product Features

- Capacity for up to two UV LED heads
- Intensity adjustment for each channel
- Works with Loctite EQ CL42 LED Flood heads
- Touch screen HMI
- 3 running modes: Timer, Level and Advance
- Environmentally friendly

Product Benefits

- Touch screen operation panel, easy to use
- Friendly user interface
- Increased productivity, maintenance free
- Lower cost of ownership
- Less energy required, lower operating cost
- Easy integration.

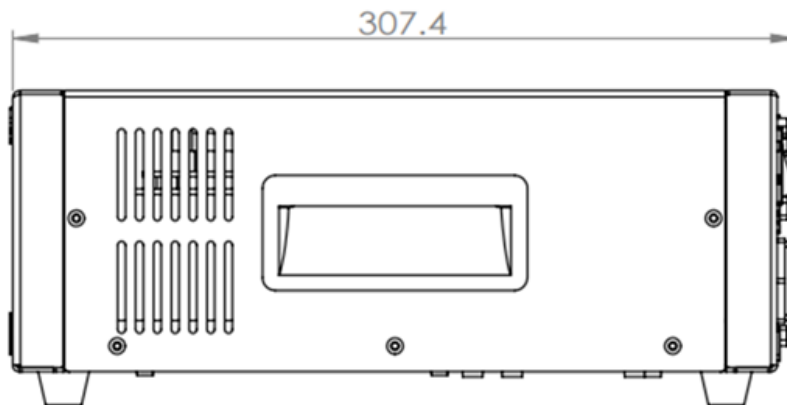
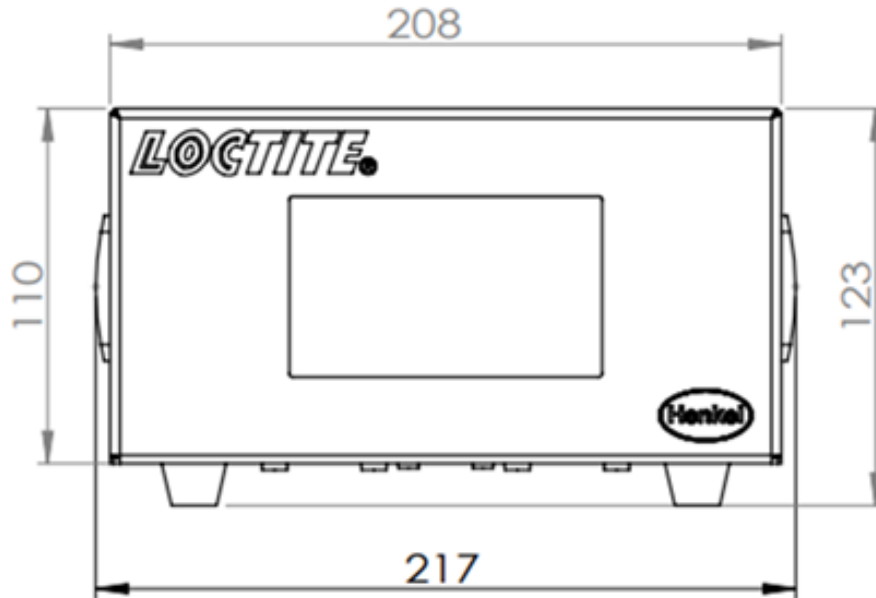
Technical Data

- Dimensions (W x H x D): 217x123x307.4 mm
- Total weight: lbs. (Kg) 14
- Operating voltage: 110~240 VAC 50/60Hz
- Power consumption: 1100 Watts
- Recommend Operating Temperature: +10 °C to +40 °C (+50 °F to +104 °F)
- Recommend Storage Temperature: -10 °C to +60 °C (+14 °F to +140 °F)

Optional Accessories

Item	Description	IDH#
1	EQ CL42 LED Flood Head, 365nm	2804955
2	EQ CL42 LED Flood Head, 405nm	2804956
3	EQ CL42 LED Dual Controller	2804957
4	EQ CL42 Connection Cable for Head	2804958
5	EQ LED Chamber	2804959
6	Footswitch	88653
7	EQ PM20 UV AB Radiometer/Dosimeter	2436353
8	EQ PM20 UV VIS Radiometer/Dosimeter	2436352
9	UV & Visible Light Safety Glasses, Orange	717763

Dimensions:



Note
The data contained herein are furnished for information only and are believed to be reliable. We cannot assume responsibility for the results obtained by others over whose methods we have no control. It is the user's responsibility to determine suitability for the user's purpose of any production methods mentioned herein and to adopt such precautions as may be advisable for the protection of property and of persons against any hazards that may be involved in the handling and use thereof. In light of the foregoing, Henkel Corporation specifically disclaims all warranties expressed or implied, including warranties of merchantability or fitness for a particular purpose, arising from sale or use of Henkel Corporation's products. Henkel Corporation specifically disclaims any liability for consequential or incidental damages of any kind, including lost profits. The discussion herein of various processes or compositions is not to be interpreted as representation that they are free from domination of patents owned by others or as a license under any Henkel Corporation patents that may cover such processes or compositions. We recommend that each prospective user test his proposed application before repetitive use, using this data as a guide. This product may be covered by one or more United States or foreign patents or patent applications.

Trademark usage except as otherwise noted, all trademarks in this document are trademarks of Henkel Corporation in the U.S. and elsewhere. ® denotes a trademark registered in the U.S. Patent and Trademark Office.