

EQ CL40 LED Quad Controller

IDH 2804936

PRODUCT DESCRIPTION

The Loctite® EQ CL40 Quad LED Controller is a UV-LED spot light source that emits UV light at 365 or 405 nm. The Quad Controller includes a footswitch and AC power cord. The required LED head is purchased separately. The maximum number of LED heads that can be installed is four (4) units allowing for multiple cure areas. This system is suitable for manual work stations as well as integration into automated production lines. The EQ CL40 Quad LED Controller can be operated in a continuous light output mode or up to a 7-step, programmed output mode where the light output intensity and time can be programmed for each separate LED head. The cycle can be initiated with the start/stop button on the front panel; a footswitch (included); or via a PLC connection with an external start signal. This LED light source causes no thermal damage or harmful effects to objects being illuminated. Its low power consumption makes it an energy-saving and environmentally friendly light source. No light guides or lamp replacements are required.

CL40 Quad LED Controller



LED Heads(each purchased separately)

(available in 3mm, 6mm or 10mm dia LENS.
with 2.7m cable length)



EQ CL40 LED Quad Controller**IDH 2804936****PRODUCT FEATURES**

- Instant on-off capabilities; no warm-up time required as compared to mercury-arc lamp UV Wand systems.
- Can operate up to four (4) LED heads
- Each LED head can be programmed independently to have a 7-step setting for UV intensity and exposure time.
- Provides five programming modes (constant intensity; pulsed; step; optical; manual).
- Each channel is adjustable and can be controlled separately.
- Temperature feedback to eliminate LED heads overheating.

Technical Data:

Dimensions (W x H x D):	99x162.15x162.8 MM
Total weight: lbs. (Kg)	2 (4.4)
Operating voltage:	24V DC (60W Adapter)
Power consumption:	<35 Watts
Operating Temperature:	+10 °C to +40 °C (+50 °F to +104 °F)
Storage Temperature:	-10 °C to +60 °C (+14 °F to +140 °F)

Optional Accessories:

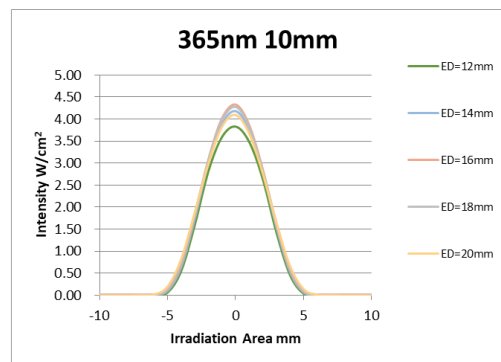
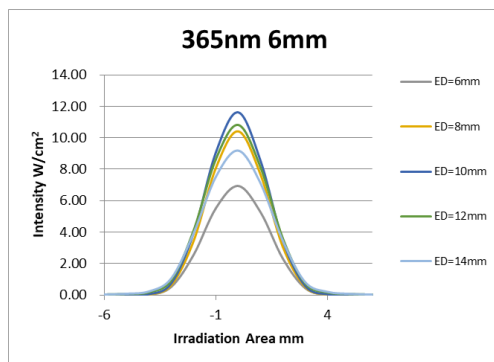
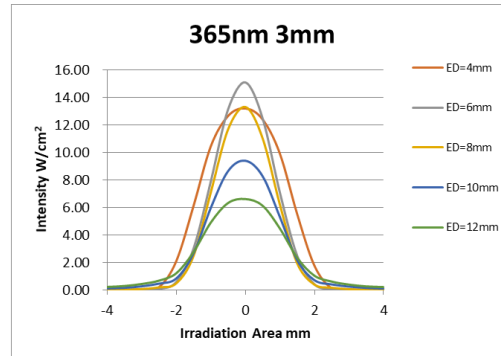
Item	Description	IDH#
1	EQ CL40 LED Spot Head, 365nm LED Head with 6mm Lens	2804938
2	EQ CL40 LED Spot Head, 405nm LED Head with 6mm Lens	2804937
3	EQ CL40 LED Quad Controller	2804936
4	EQ CL40 LED Spot Head, Lens ϕ 3mm, 365nm	2804939
5	EQ CL40 LED Spot Head, Lens ϕ 6mm, 365nm	2804940
6	EQ CL40 LED Spot Head, Lens ϕ 10mm, 365nm	2804951
7	EQ CL40 LED Spot Head, Lens ϕ 3mm, 405nm	2804952
8	EQ CL40 LED Spot Head, Lens ϕ 6mm, 405nm	2804953
9	EQ CL40 LED Spot Head, Lens ϕ 10mm, 405nm	2804954
10	EQ CL40 Extension cable, 5 meters	2852572
11	Footswitch	88653
12	EQ PM20 UV AB Radiometer/Dosimeter	2436353
13	EQ PM20 UV VIS Radiometer/Dosimeter	2436352
14	UV & Visible Light Safety Glasses, Orange	717763

EQ CL40 LED Quad Controller

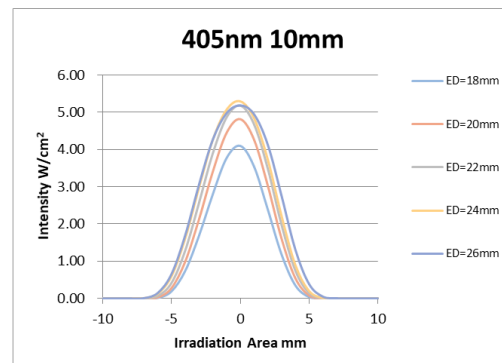
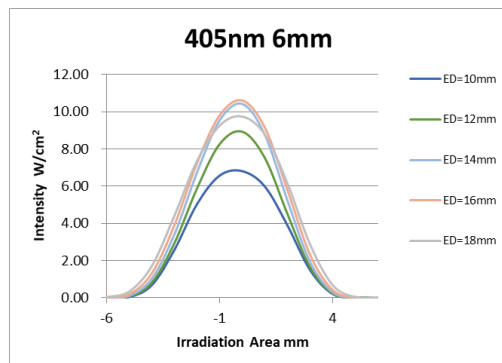
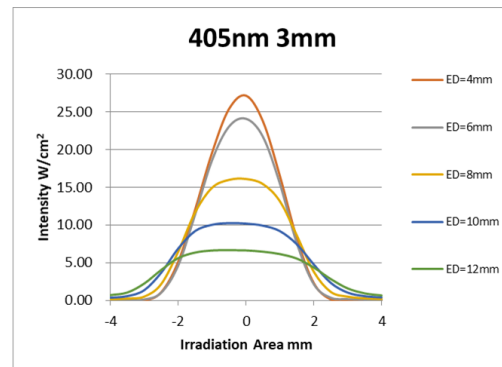
IDH 2804936

Intensity

Spot Diameter (mm)	3mm	6mm	10mm
Recommend Working Distance (mm)	4~6	8~12	14~18
Intensity (W/cm²)	15	11	4.2
Wavelength	365nm		
Material	Aluminum, Cooper, Optical Glass		
Life Cycle	>20,000 hours		



Spot Diameter (mm)	3mm	6mm	10mm
Recommend Working Distance (mm)	4~6	14~16	22~26
Intensity (W/cm²)	26	10.3	5
Wavelength	405nm		
Material	Aluminum, Cooper, Optical Glass		
Life Cycle	>20,000 hours		



Note
 The data contained herein are furnished for information only and are believed to be reliable. We cannot assume responsibility for the results obtained by others over whose methods we have no control. It is the user's responsibility to determine suitability for the user's purpose of any production methods mentioned herein and to adopt such precautions as may be advisable for the protection of property and of persons against any hazards that may be involved in the handling and use thereof. In light of the foregoing, Henkel Corporation specifically disclaims all warranties expressed or implied, including warranties of merchantability or fitness for a particular purpose, arising from sale or use of Henkel Corporation's products. Henkel Corporation specifically disclaims any liability for consequential or incidental damages of any kind, including lost profits. The discussion herein of various processes or compositions is not to be interpreted as representation that they are free from domination of patents owned by others or as a license under any Henkel Corporation patents that may cover such processes or compositions. We recommend that each prospective user test his proposed application before repetitive use, using this data as a guide. This product may be covered by one or more United States or foreign patents or patent applications.

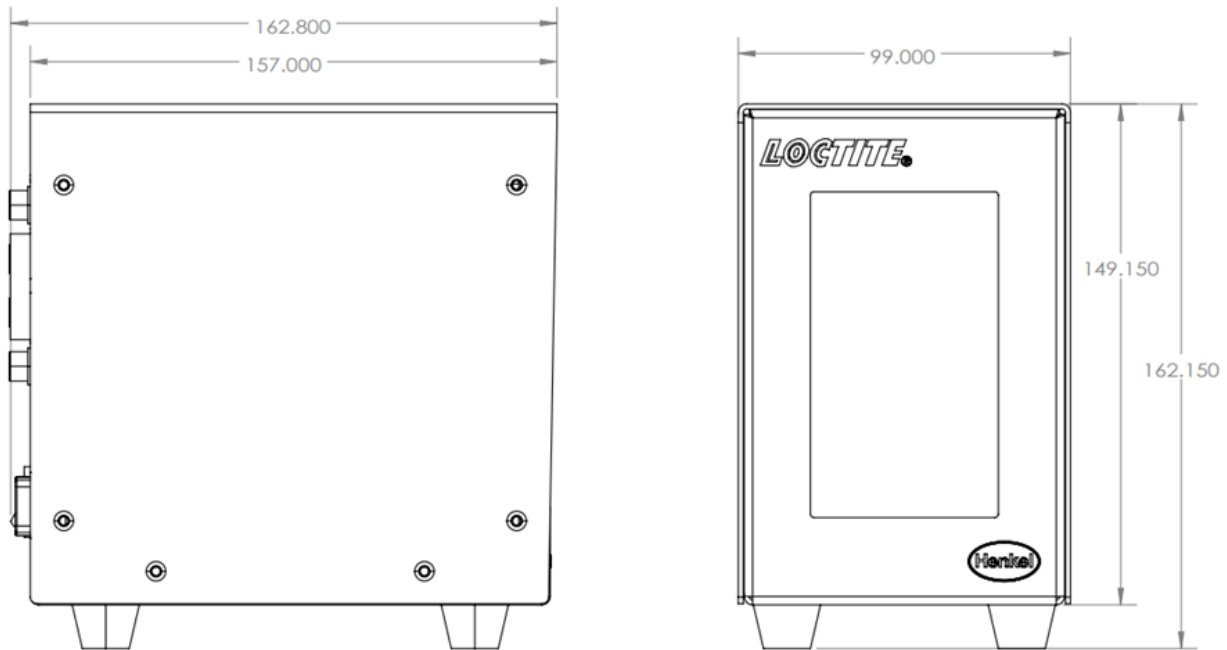
Trademark usage except as otherwise noted, all trademarks in this document are trademarks of Henkel Corporation in the U.S. and elsewhere. ® denotes a trademark registered in the U.S. Patent and Trademark Office.

EQ CL40 LED Quad Controller

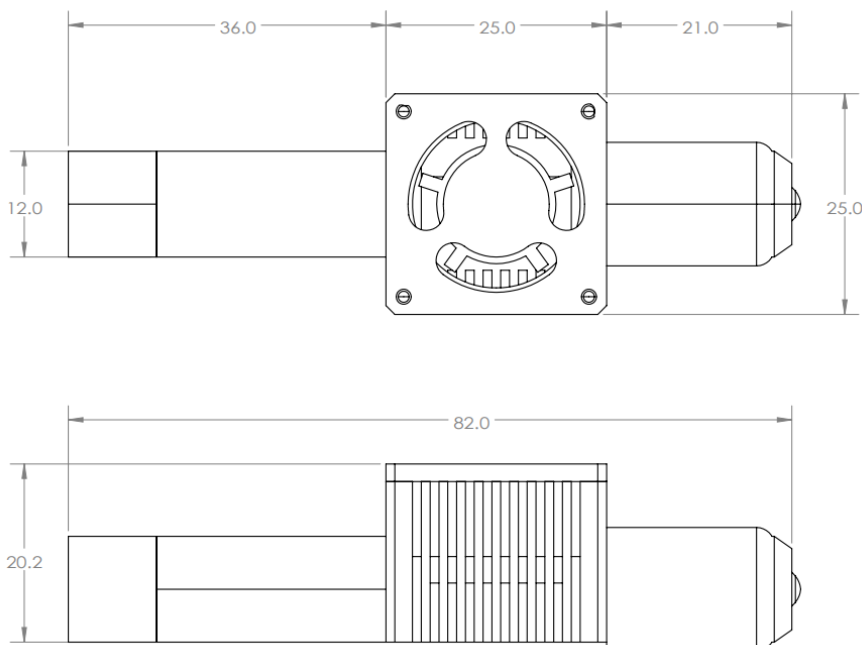
IDH 2804936

Dimensions:

Quad Controller



LED Spot Head



Note
The data contained herein are furnished for information only and are believed to be reliable. We cannot assume responsibility for the results obtained by others over whose methods we have no control. It is the user's responsibility to determine suitability for the user's purpose of any production methods mentioned herein and to adopt such precautions as may be advisable for the protection of property and of persons against any hazards that may be involved in the handling and use thereof. In light of the foregoing, Henkel Corporation specifically disclaims all warranties expressed or implied, including warranties of merchantability or fitness for a particular purpose, arising from sale or use of Henkel Corporation's products. Henkel Corporation specifically disclaims any liability for consequential or incidental damages of any kind, including lost profits. The discussion herein of various processes or compositions is not to be interpreted as representation that they are free from domination of patents owned by others or as a license under any Henkel Corporation patents that may cover such processes or compositions. We recommend that each prospective user test his proposed application before repetitive use, using this data as a guide. This product may be covered by one or more United States or foreign patents or patent applications.

Trademark usage except as otherwise noted, all trademarks in this document are trademarks of Henkel Corporation in the U.S. and elsewhere. ® denotes a trademark registered in the U.S. Patent and Trademark Office.