

# KEYWAY WALLOW

## CHALLENGE

### Repair wallowed out keyways

Shaft vibration and external forces affect key stability. Over time, this instability leads to keyway wallow.

## SOLUTION

- › Apply a bead of LOCTITE® 660 Retaining Compound directly in the worn keyway.
- › LOCTITE® 660 Retaining Compound is a heavy-bodied product designed to fill large voids, up to 0.030”.

### Steps

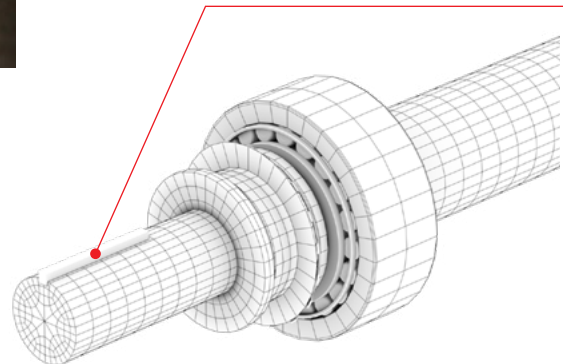
1. If the keyway wallow is severe, you may need to add shims to both sides.
2. Apply LOCTITE® 660 Retaining Compound directly into the keyway.
3. Press the new key stock into the keyway and the assembly is restored without having to take apart the pump.



Step 2.



LOCTITE® 660  
Retaining Compound



## RESULTS

- › A secured fit to the keyway.
- › Elimination of repeat wallowing.

**LOCTITE®**