

IMPROVING COMPRESSOR RELIABILITY



Enhance paint adhesion of external parts, and prevent corrosion and wear of internal parts with **BONDERITE Surface Treatment / Functional Coatings**



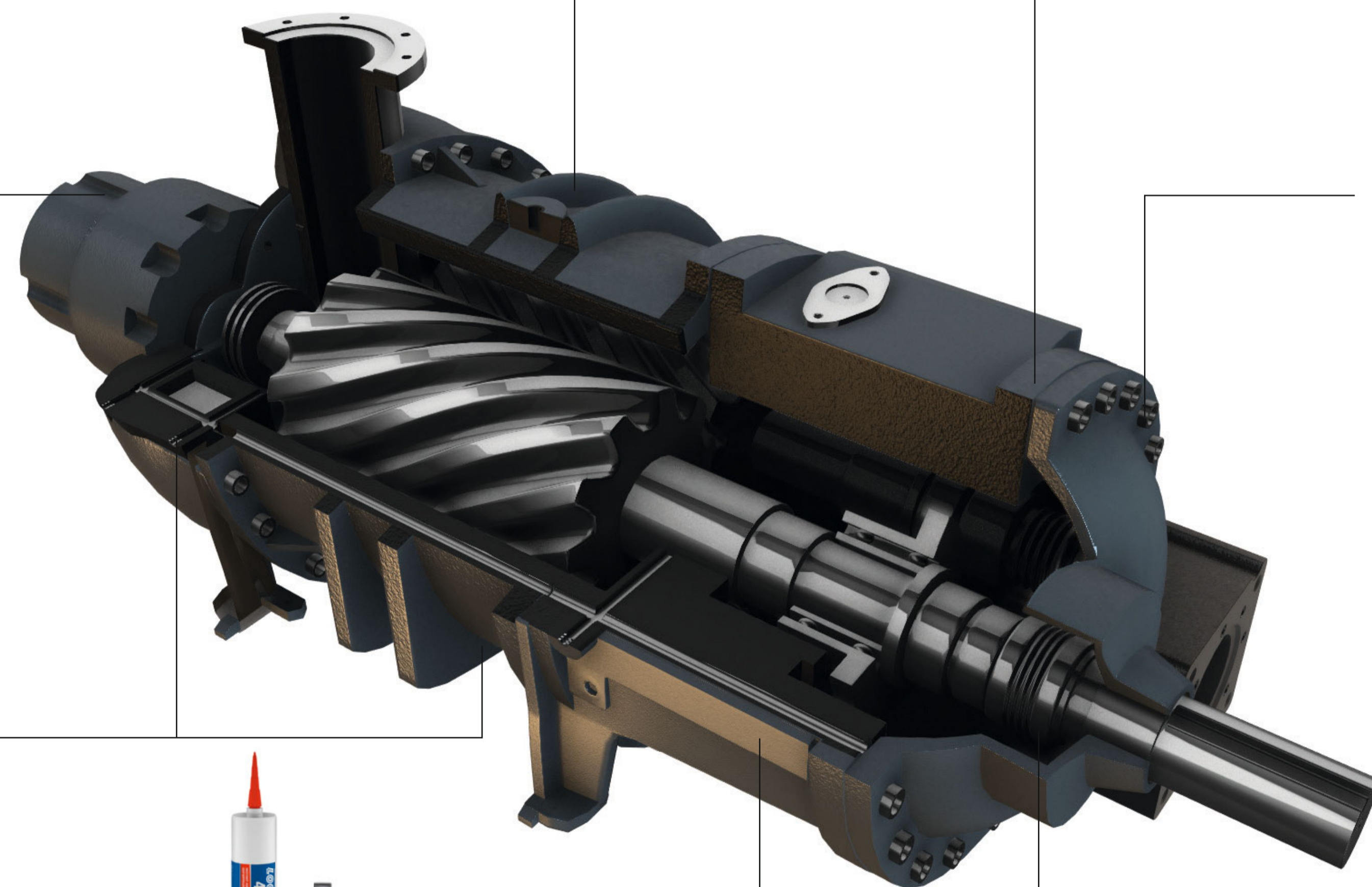
Prevent gasket leaks and reduce cut gasket inventories with **LOCTITE Gasket Sealants**



Prevent premature seal failure, bearing and bush failure with **LOCTITE Retaining Compounds**



Prevent fastener loosening and corrosion by using **LOCTITE Threadlockers**



Prevent leaks in threaded assemblies with **LOCTITE Thread Sealants**



Attach identification tags easily and avoid case damage with **LOCTITE Instant and Structural Adhesives**



Prevent premature seal failure, bearing and bush failure with **LOCTITE Retaining Compounds**