

LOCTITE®

HENKEL SOLUTIONS FOR AUTOMOTIVE ELECTRONICS COMPONENTS

LOCTITE® SI 5972FC

1k alkoxy Form-In-Place-Gasket for automotive electronics sealing applications



CUSTOMER NEEDS

- **Easy dispensing** silicone liquid gasket for **sealing of electronics**.
- Fast cure to minimize **staging** and cycle time.
- Material capable of passing in-line **3 psi leak test** immediately after assembly.
- **Pass 1000 hours** of reliability testing for automotive OEM standards (1000 hrs of 85°C / 85% RH, HI-Pot and Voltage bias testing).
- **REACH compliant** system to allow global usage.



HENKEL SOLUTIONS

- 1k RTV silicone **Form-In-Place-Gasketing** (FIPG) solution.
- **Fast curing RTV** silicone gasket to reduce post assembly staging.
- Specially designed to **pass in-line blow** out test after assembly.
- **Tin-free**, catalyst system to meet REACH requirements.
- Processability **reduces** additional **floor space** needed for staging.

CONTACT US TO LEARN MORE

Europe
Germany
Henkel AG & Co. KGaA (Headquarters)
Henkelstraße 67, 40589 Düsseldorf

Asia-Pacific
China
Henkel (China) Co., Ltd.
No. 928 Zhangheng Road, Pudong New District
201203 Shanghai

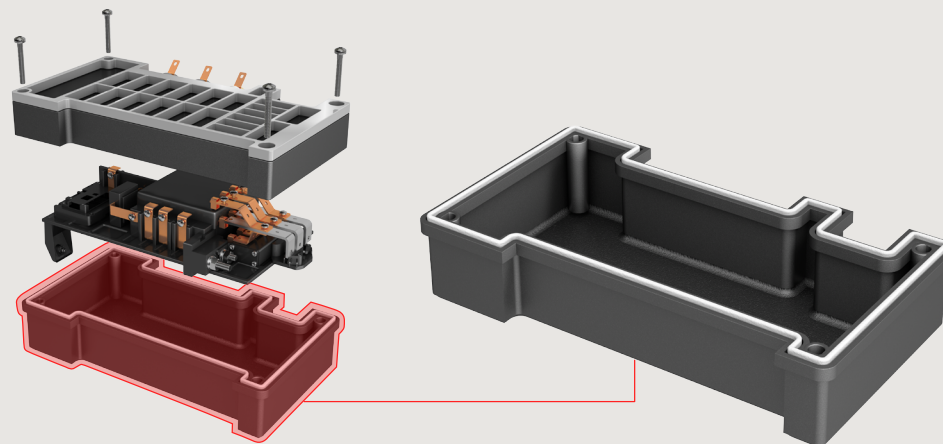
Americas
U.S.A.
Henkel Corporation
Madison Heights, 32100 Stephenson Highway
Madison Heights, MI 48071



Henkel Adhesive Technologies



BATTERY DISCONNECT UNITS



www.henkel-adhesives.com

The data contained herein is intended as reference only. Some products / package sizes may not be available in your country or may have a lead time. Please contact your local Henkel subsidiary for assistance and recommendation on specifications and applications of these products. © designates a trademark of HENKEL AG & Co. KGaA or its affiliates, registered in Germany and elsewhere
© Henkel AG & Co. KGaA, 2023 (10/2023)