



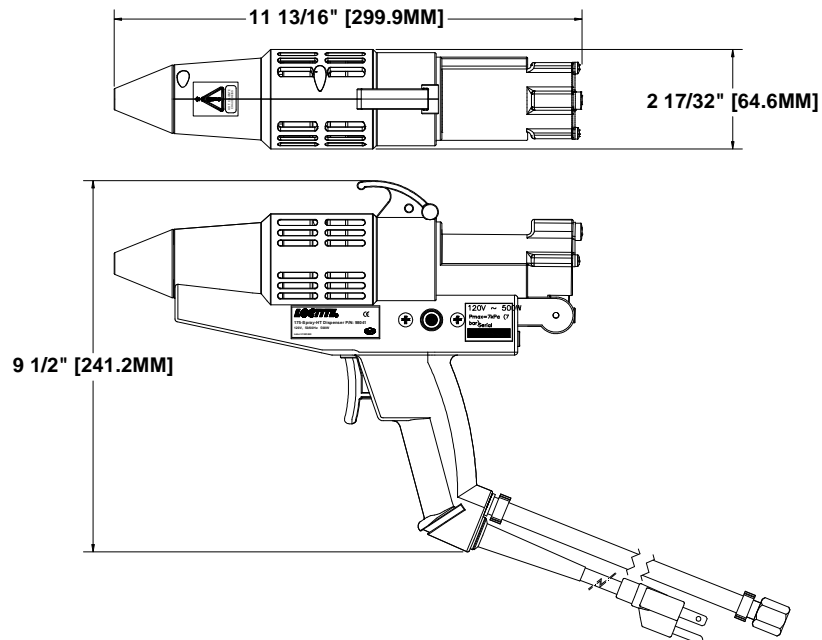
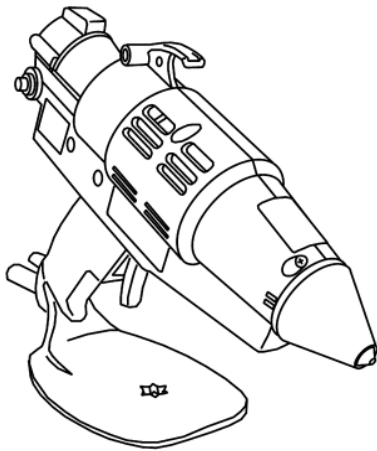
Product Description Sheet
175-Spray-HT Hot Melt Dispenser
Item No. 98041

PRODUCT DESCRIPTION

Loctite® 175-Spray-HT Hot Melt Dispenser is a high output hand-held, electro-pneumatic, hot melt adhesive dispenser. The product is ergonomically designed to heat, melt and dispense all Loctite® structural hot melt products. The 175-Spray-HT Dispenser is designed for high volume, high production industrial environments.

PRODUCT FEATURES

- Designed for operator comfort and application control
- Low actuation force to reduce finger fatigue
- Fixed precision temperature setting, 195°C
- Electronic temperature control
- 1 3/4" Polyshot EVA loading
- Heater: (2) 250 Watt Stainless Steel Cartridges
- Variable Narrow to Ultra Wide dispense patterns
- Dispenses up to 8 pounds per hour
- Weight 4 pounds



Technical Data

- Utilities: 120 VAC, 50/60 Hz,
- Air Supply 45 psi minimum 100 psi maximum
- Heat-up time: 5-7 minutes
- Heater: (2) 250 Watt Stainless Steel Cartridge

Hot Melt Dispenser P/N 98037 includes:

- Instruction manual - P/N 985119
- 175-Spray-HT Hot Melt Dispenser
- Dispenser Stand - P/N 985069



Henkel Americas
1-800-LOCTITE
www.equipment.loctite.com

Henkel Europe
+49.89.320800.1800
www.henkel.com/industrial

Henkel Asia Pacific
+86.21.2891.8863
www.henkel.com/industrial



Product Description Sheet
175-Spray-HT Hot Melt Dispenser
Item No. 98041

Optional Accessories:

- Replacement standard wide spray nozzle - P/N 985122
- Narrow spray nozzle - P/N 985211
- Ultra wide spray nozzle - P/N 985216
- Tool Hanger/Balancer - P/N 985243
- Heavy-duty metal stand - P/N 985087

Note
The data contained herein are furnished for information only and are believed to be reliable. We cannot assume responsibility for the results obtained by others over whose methods we have no control. It is the user's responsibility to determine suitability for the user's purpose of any production methods mentioned herein and to adopt such precautions as may be advisable for the protection of property and of persons against any hazards that may be involved in the handling and use thereof. In light of the foregoing, Henkel Corporation specifically disclaims all warranties expressed or implied, including warranties of merchantability or fitness for a particular purpose, arising from sale or use of Henkel Corporation's products. Henkel Corporation specifically disclaims any liability for consequential or incidental damages of any kind, including lost profits. The discussion herein of various processes or compositions is not to be interpreted as representation that they are free from domination of patents owned by others or as a license under any Henkel Corporation patents that may cover such processes or compositions. We recommend that each prospective user test his proposed application before repetitive use, using this data as a guide. This product may be covered by one or more United States or foreign patents or patent applications.

Trademark usage

Except as otherwise noted, all trademarks in this document are trademarks of Henkel Corporation in the U.S. and elsewhere. © denotes a trademark registered in the U.S. Patent and Trademark Office.

Document # 8903894, Date: 03/22/2013



Henkel Americas
1-800-LOCTITE
www.equipment.loctite.com

Henkel Europe
+49.89.320800.1800
www.henkel.com/industrial

Henkel Asia Pacific
+86.21.2891.8863
www.henkel.com/industrial