



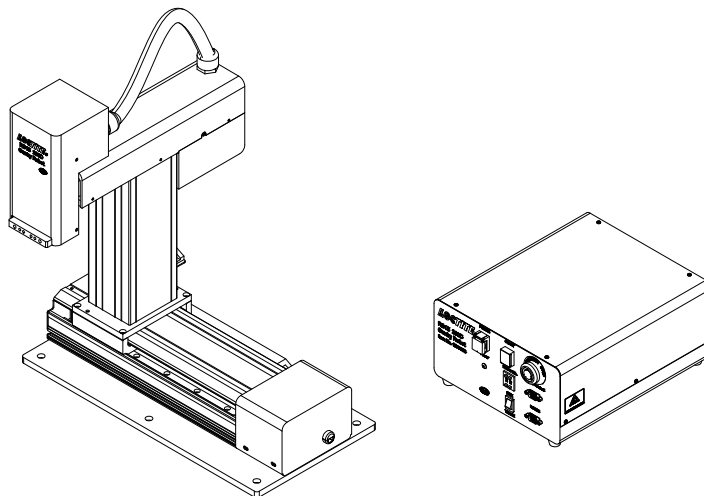
Product Description Sheet
EQ RB15 200D Gantry Robot
Item No. 2112253

PRODUCT DESCRIPTION

The Loctite® EQ RB15 200D Gantry Robot has features and accessories that are custom tailored for adhesive dispensing processes. The gantry design configuration makes it ideal for integrating with automatic transfer lines and conveyors. It is compatible with a wide variety of Loctite® dispense valves, reservoirs and curing lights. When used with a Loctite® I-O Junction Box, it can be easily integrated to other external devices or systems..

PRODUCT FEATURES

- Designed for adhesive dispensing.
- Compact design with remote controller configuration
- Teach Pendant programmable with easy to use programming software. Shortcut keys for common tasks.
- All programs are stored on the Teach Pendant which allows dispense programs to be easily transferred from Robot to Robot.
- Up to 100 programs can be stored on the Teach Pendant.
- Independent dispense on / off purge button on the front panel allows adhesive to be purged from a dispense valve to prevent curing and aid in the initial set-up. No special programming required. Useful for set-up and purging of two-part materials that have a very short pot life.
- Easily integrates with the Loctite® needle calibration kit (#1569523) for precise dispense tip location.
- The Loctite® 2182205 EQ ACCE D-Series Junction Box 24V can be installed together with automatic conveyors and other production equipment.



Henkel Americas
1-800-LOCTITE
www.equipment.loctite.com

Henkel Europe
+49.89.320800.1800
www.henkel.com/industrial

Henkel Asia Pacific
+86.21.2891.8863
www.henkel.com/industrial



Product Description Sheet
EQ RB15 200D Gantry Robot
Item No. 2112253

Working Area X/Y/Z	200/200/50
Load Worktable/Tool	5.0kg/2.0kg
Maximum Speed X&Y/Z(mm/sec)	400/200
Repeatability	+/-0.04mm/Axis
Resolution	0.02mm/Axis
Data Memory Capacity	4000 points/program 100 programs
Program System	Compact Flash Card
Processor	32 Bit
Display	Teach Pendant LCD
Drive System/Stepping Motor	Micro stepping 3-Phase
Motion Control	PTP&CP
Linear/Circular Interpolation	3 Axes
Teaching Method	Teach Pendant
I/O Signals	8 Input/8Output
External Interface	RS232
Power Supply	110~220 VAC 320W
Working Temperature	0 – 40°C, 0-104°F
Relative Humidity (no condensation)	20 – 90%
Dimensions (W x D x H) (mm)	250 x 300 x 130 (Controller) 469 x 389 x 489 (Robot)
Weight	16kg



Henkel Americas
1-800-LOCTITE
www.equipment.loctite.com

Henkel Europe
+49.89.320800.1800
www.henkel.com/industrial

Henkel Asia Pacific
+86.21.2891.8863
www.henkel.com/industrial



Product Description Sheet
EQ RB15 200D Gantry Robot
Item No. 2112253

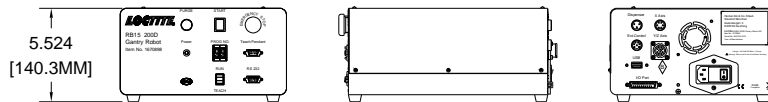
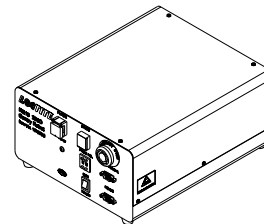
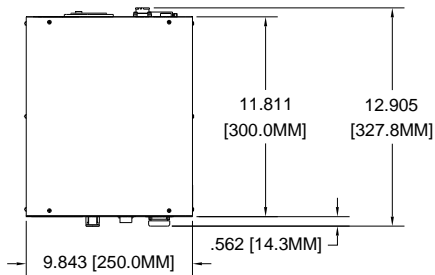
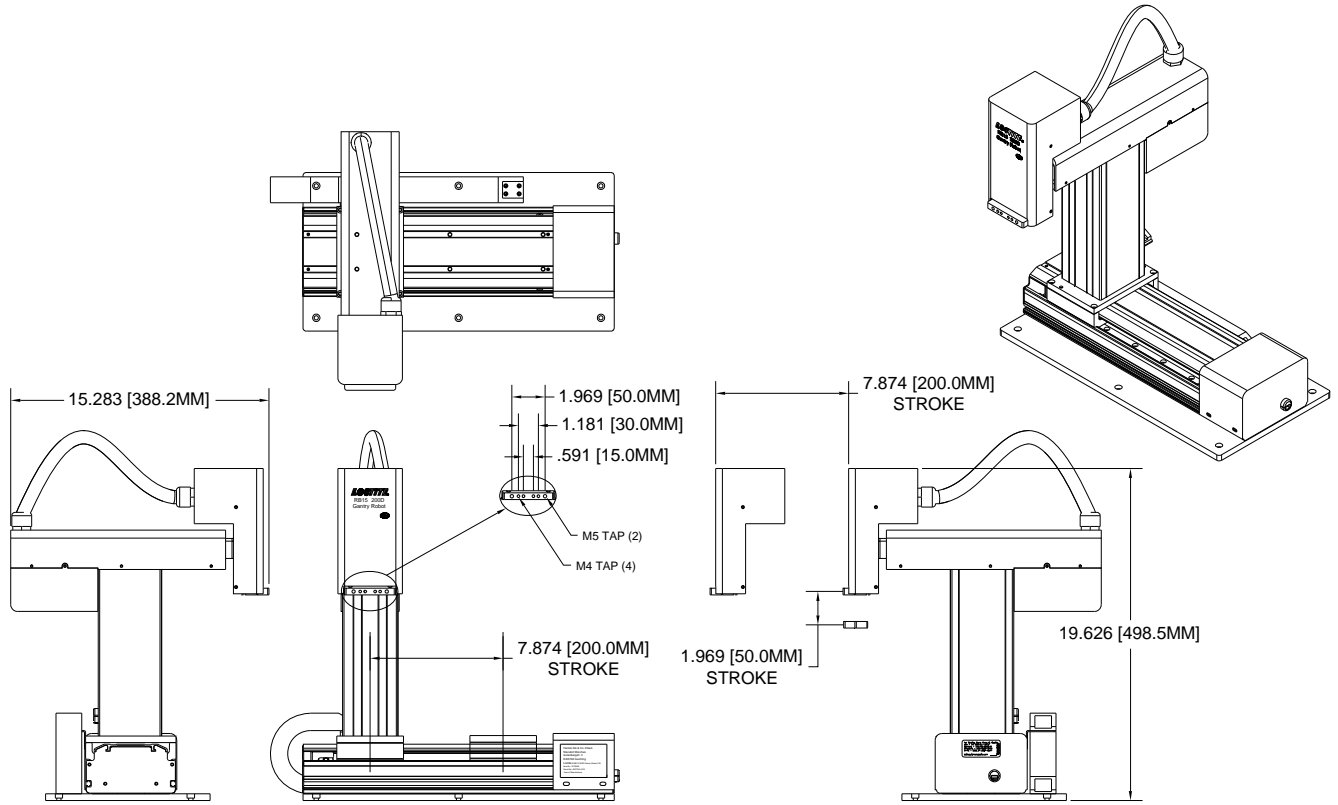
Spare Parts:

Loctite Item Number	Description
Accessories	
1328356	Teach Pendant D-Series Robot
1329222	Interface Cable D-Series Robot
1569523	Robot Needle Calibration Kit
1912406	EQ RB30 Robot Camera
2148218	EQ ACCE D-Series Robot Software Kit
2182205	EQ ACCE D-Series Junction Box, 24V
Mounting Brackets	
1328355	Syringe Holder, 30-55ml, Fixed
98316	30ml Mounting Bracket Kit
98318	300ml Cartridge Mounting Bracket kit
98326	98009 and 98013 Valve Mounting Bracket Kit
98327	97113 and 97114 Valve Mounting Bracket kit
98406	983914 and 986300 Poppet Valve Mounting Bracket Kit
98441	98520 Spray and 98084 Micro Needle Valve Mounting Bracket Kit
98646	Universal Syringe Bracket for Posi-Link™
98647	50ml Dual Cartridge Bracket for Posi-Link™
98669	98591 and 98595 LED Mounting Bracket Kit
1034030	98601, 98665, 976418 and 976420 LED Mounting Bracket Kit
3, 5 and 10ml Syringe Adapters	
98320	10ml Adapter for Use with 98316
98321	5ml Adapter for Use with 98316
98322	3ml Adapter for Use with 98316
360 Degree Rotation Kit	
98325	360 Degree Rotation Kit
Tip Locator Brackets	
98332	Tip Locator Bracket for 30ml Syringe
98333	Tip Locator Bracket for 300ml Cartridge
98334	Tip Locator Bracket for 98009 and 98013 Valves
98335	Tip Locator Bracket for 97113 and 97114 Valves
98407	Tip Locator Bracket for 983914 and 986300 Poppet Valve
Z Height Adjustment Plates	
98357	Z Height Adjustment Plate
929541	Z Height Adjustment Plate-Posi-Link™ 200-400 Nests
Mounting Rails	
98328	3 3/4 Inch Bar with Two Cap Screws
98329	8 3/4 Inch Bar with Two Cap Screws





Product Description Sheet
EQ RB15 200D Gantry Robot
Item No. 2112253



Henkel Americas
1-800-LOCTITE
www.equipment.loctite.com

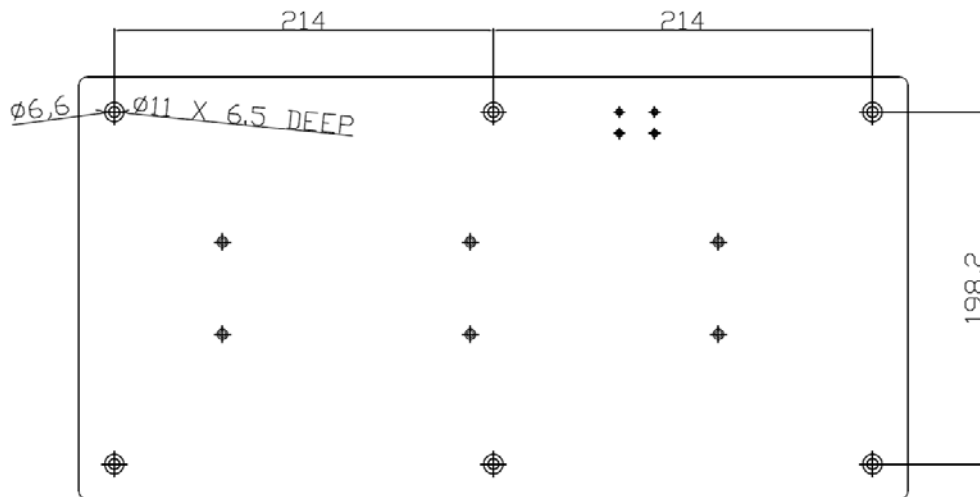
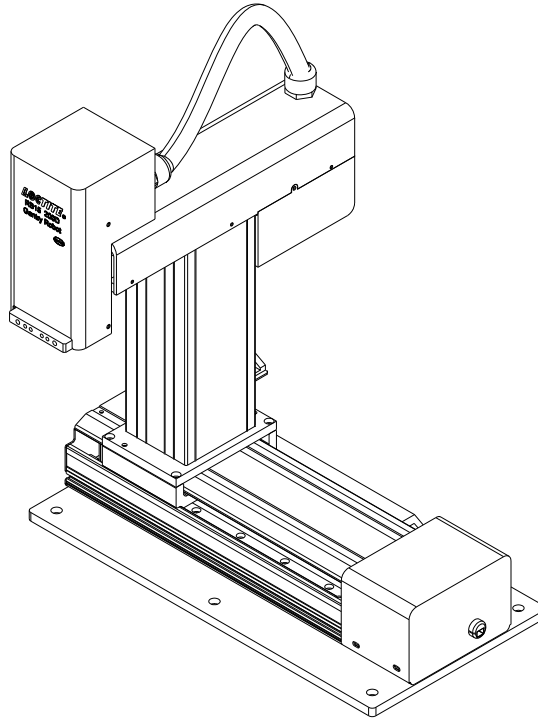
Henkel Europe
+49.89.320800.1800
www.henkel.com/industrial

Henkel Asia Pacific
+86.21.2891.8863
www.henkel.com/industrial



Product Description Sheet
EQ RB15 200D Gantry Robot
Item No. 2112253

Robot Mounting:



Henkel Americas
1-800-LOCTITE
www.equipment.loctite.com

Henkel Europe
+49.89.320800.1800
www.henkel.com/industrial

Henkel Asia Pacific
+86.21.2891.8863
www.henkel.com/industrial



Product Description Sheet
EQ RB15 200D Gantry Robot
Item No. 2112253

Note
The data contained herein are furnished for information only and are believed to be reliable. We cannot assume responsibility for the results obtained by others over whose methods we have no control. It is the user's responsibility to determine suitability for the user's purpose of any production methods mentioned herein and to adopt such precautions as may be advisable for the protection of property and of persons against any hazards that may be involved in the handling and use thereof. In light of the foregoing, Henkel Corporation specifically disclaims all warranties expressed or implied, including warranties of merchantability or fitness for a particular purpose, arising from sale or use of Henkel Corporation's products. Henkel Corporation specifically disclaims any liability for consequential or incidental damages of any kind, including lost profits. The discussion herein of various processes or compositions is not to be interpreted as representation that they are free from domination of patents owned by others or as a license under any Henkel Corporation patents that may cover such processes or compositions. We recommend that each prospective user test his proposed application before repetitive use, using this data as a guide. This product may be covered by one or more United States or foreign patents or patent applications.

Trademark usage

Except as otherwise noted, all trademarks in this document are trademarks of Henkel Corporation in the U.S. and elsewhere. © denotes a trademark registered in the U.S. Patent and Trademark Office.

Document # 8906127, Date: 11/16/2016



Henkel Americas
1-800-LOCTITE
www.equipment.loctite.com

Henkel Europe
+49.89.320800.1800
www.henkel.com/industrial

Henkel Asia Pacific
+86.21.2891.8863
www.henkel.com/industrial