



Product Description Sheet
SD15 Heat Controller
Item No. 1667508
SD15 Tip Heater
Item No. 1667509

PRODUCT DESCRIPTION

The Loctite® SD15 Heat Controller and SD15 Tip Heater are accessories for our current 30ml Hotmelt PUR Dispenser (1464917 Syringe Head, 1464916 Controller), and is designed for use with Loctite® PUR 30ml dispensing system. It can be integrated with a Loctite® Robots. The system keeps needle warm when the PUR dispenser is not being used which will enhance the first piece's performance when going back to work.

PRODUCT FEATURES

- Works with 30ml PUR dispensing system.
- Enhances 30ml PUR dispensing system's performance.
- Easy to install and maintain.
- Ergonomic design.
- PTFE safety enclosure.
- Flexible mount on the Loctite® Robot System.
- Max. heating temperature to 160°C
- Single heat channel.
- Dual display temperature controller.

Tip Heater System Includes

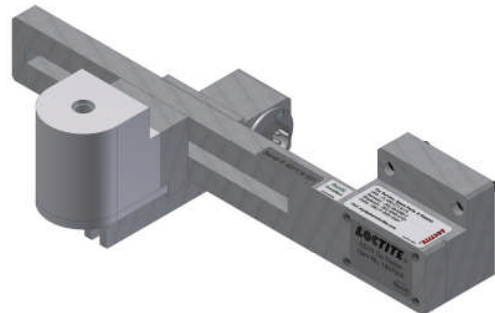
- SD15 Tip Heater (1667509)
- SD15 Heat Controller (1667508)



Technical Data

SD15 Heat Controller 1667508

Attribute		Value
Power		Supply:220VAC/50-60 Hz
		Internal:24VDC
Dimensions	Width	127 mm
	Depth	194 mm
	Height	73 mm
Operation Temperature		+ 10°C to + 40°C
Storage temperature		- 10°C to + 60°C
Weight		1.5KG



Henkel Americas
1-800-LOCTITE
www.equipment.loctite.com

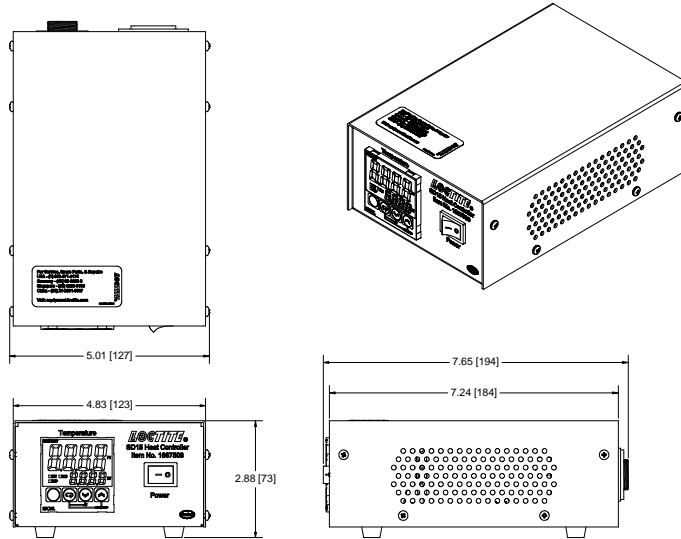
Henkel Europe
+49.89.320800.1800
www.henkel.com/industrial

Henkel Asia Pacific
+86.21.2891.8863
www.henkel.com/industrial

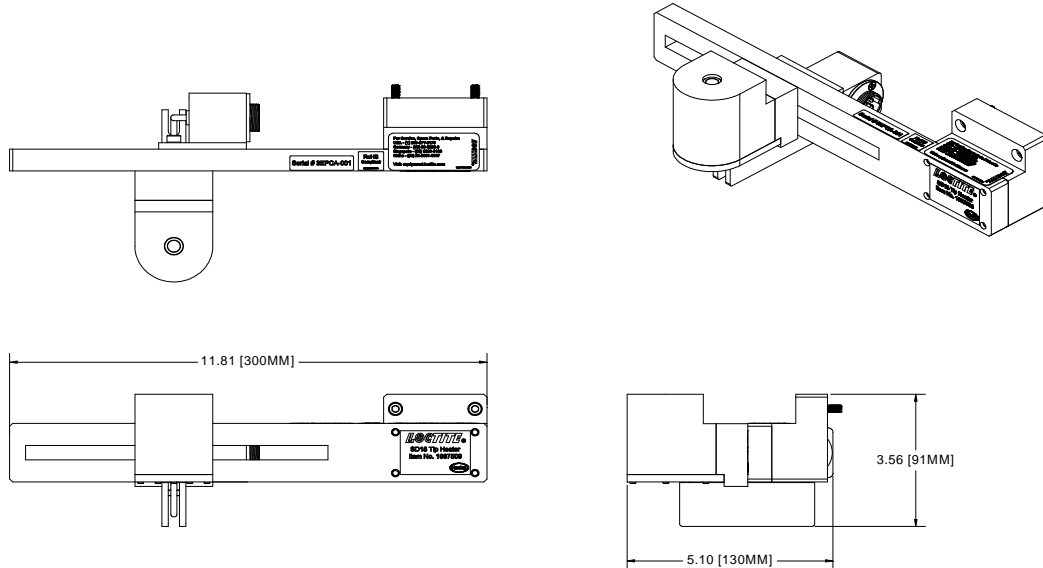


Product Description Sheet
SD15 Heat Controller
Item No. 1667508
SD15 Tip Heater
Item No. 1667509

SD15 Heat Controller 1667508



SD15 Tip Heater 1667509



Henkel Americas
1-800-LOCTITE
www.equipment.loctite.com

Henkel Europe
+49.89.320800.1800
www.henkel.com/industrial

Henkel Asia Pacific
+86.21.2891.8863
www.henkel.com/industrial

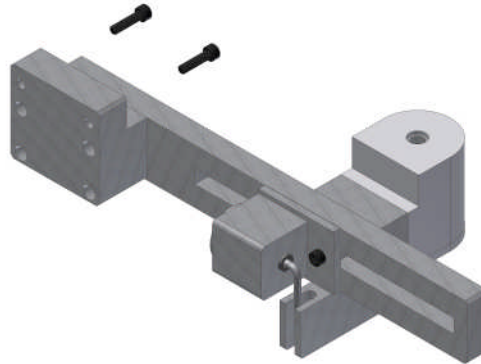


Product Description Sheet
SD15 Heat Controller
Item No. 1667508
SD15 Tip Heater
Item No. 1667509

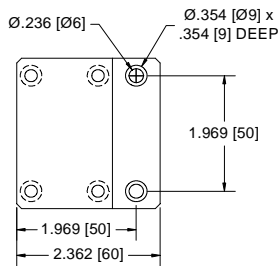
Needles and Accessories

Loctite® Part Number	Description
1483249	Needle—All SS, 1/2" 18G
1483250	Needle—All SS, 1/2" 20G
1483262	Needle—All SS, 1/2" 21G
1483264	Needle—All SS, 1/2" 23G
1483265	Needle—All SS, 1/2" 25G
1500889	Needle—All SS, 1/2" 19G
8902749	PUR Dispensing Head Cable

Robot Mounting, Socket Head Cap Screws M5 x 20



Mounting Block Centers



Note
The data contained herein are furnished for information only and are believed to be reliable. We cannot assume responsibility for the results obtained by others over whose methods we have no control. It is the user's responsibility to determine suitability for the user's purpose of any production methods mentioned herein and to adopt such precautions as may be advisable for the protection of property and of persons against any hazards that may be involved in the handling and use thereof. In light of the foregoing, Henkel Corporation specifically disclaims all warranties expressed or implied, including warranties of merchantability or fitness for a particular purpose, arising from sale or use of Henkel Corporation's products. Henkel Corporation specifically disclaims any liability for consequential or incidental damages of any kind, including lost profits. The discussion herein of various processes or compositions is not to be interpreted as representation that they are free from domination of patents owned by others or as a license under any Henkel Corporation patents that may cover such processes or compositions. We recommend that each prospective user test his proposed application before repetitive use, using this data as a guide. This product may be covered by one or more United States or foreign patents or patent applications.

Trademark usage

Except as otherwise noted, all trademarks in this document are trademarks of Henkel Corporation in the U.S. and elsewhere. © denotes a trademark registered in the U.S. Patent and Trademark Office.

Document # 8903371, Date: 04/05/2012



Henkel Americas
1-800-LOCTITE
www.equipment.loctite.com

Henkel Europe
+49.89.320800.1800
www.henkel.com/industrial

Henkel Asia Pacific
+86.21.2891.8863
www.henkel.com/industrial