

### Loctite® Robot Needle Calibration Kit

Part Number 1569523

#### Description:

The 1569523 Robot Needle Calibration Kit is designed to allow the user to quickly calibrate needle tip location after change over. The Kit is designed to work with Loctite® 24V D-Series Robots which are equipped software version H1.30 or higher.

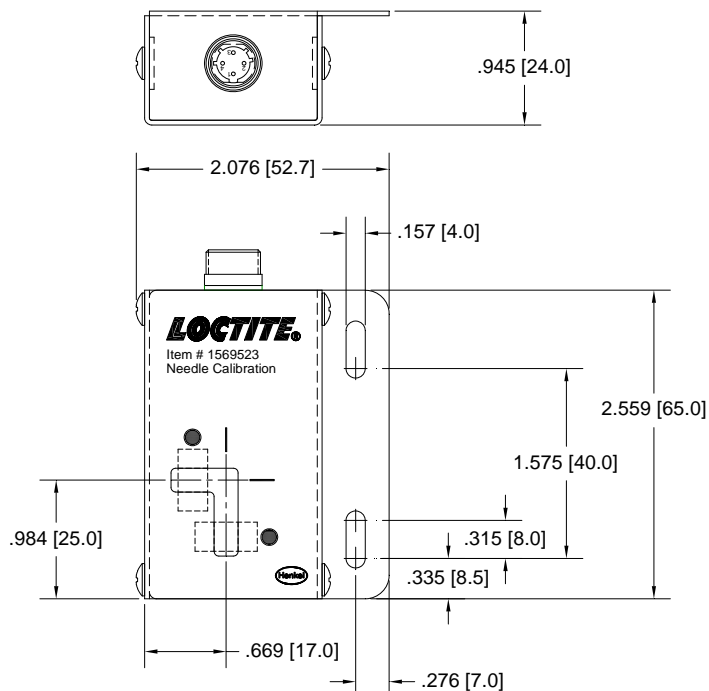
#### Kit Includes:

Qty	Description
1	Needle Calibrator
1	Connector Cable

#### Instructions for Use

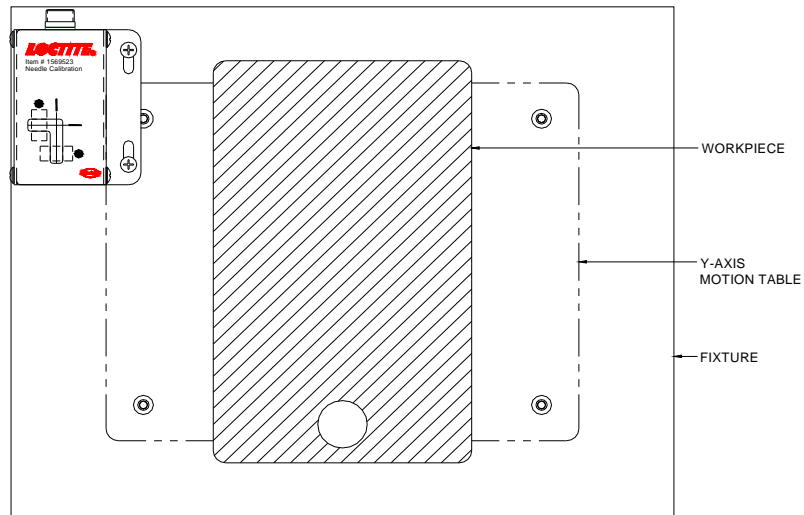
1. Power off the Robot. **DO NOT connect or disconnect the Calibration Kit from the robot while the robot still power on.**
2. Plug connector cable into Needle Calibrator.
3. Plug 25-pin end of connector cable into I/O port on rear of Robot panel.
4. Power on the Robot.
5. Setup software program by using the teach pendant. Please refer to 8902886 Henkel 24V D-Robot Software Manual, Sections 5.1.24 and 5.4.24.

#### Dimensions

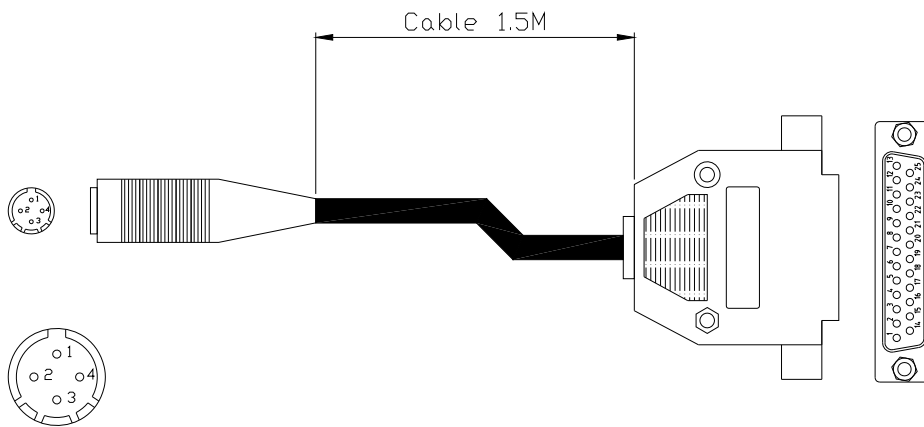


## Mounting Instruction

The Needle Calibrator must be mounted on a fixture or the Y axis motion table. It is recommended to put the calibrator in top-left corner as shown in the diagram below.



## I/O Mapping



4 Pin Connector		25 Pin Connector	
Pin #	Pin #	Description	
1	25	24 VDC	
2	1	X Signal	
3	13	GND	
4	2	Y/Z Signal	

Henkel Corporation  
One Henkel Way  
Rocky Hill, CT 06067-3910  
USA

**Henkel Canada Corporation**  
2515 Meadowpine Boulevard  
Mississauga, Ontario L5N 6C3  
Canada

Henkel Corporation  
Automotive/ Metals H.Q.  
32100 Stephenson Hwy,  
Madison Heights 48071  
USA

Henkel Capital, S.A. de C.V.  
Calzada de la Viga s/n Fracc.  
Los Laureles  
Loc. Tulpetlac, C.P. 55090  
Ecatepac de Morelos, MEXICO

Henkel Singapore Pte Ltd  
401, Commonwealth Drive  
#03-01/02 Haw Par Technocentre  
SINGAPORE 149598

Henkel (China) Company Ltd.  
No. 928 Zhang Heng Road,  
Zhangjiang, Hi-Tech Park, Pudong,  
Shanghai, China 201203

Henkel Loctite Korea  
8F, Mapo Tower, 418,  
Mapo-dong, Mapo-gu,  
Seoul, 121-734, KOREA

Henkel Japan Ltd.  
27-7 Shin Isogo-cho, Isogo-ku  
Yokohama, 235-0017  
JAPAN

[www.equipment.loctite.com](http://www.equipment.loctite.com)

**Loctite is a trademark of Henkel Corporation, U.S.A. © Copyright 2006. Henkel Corporation  
Teflon is a registered trademark of E.I. DuPont de Nemours Co., Inc.  
All rights reserved. Data in this operation manual is subject to change without notice.**

Manual P/N: 8902918, Rev B, Date: 02/03/2014

