



1001 Trout Brook Crossing
 Rocky Hill, CT 06067-3910
 Telephone: (860) 571-5100
 FAX: (860) 571-5465

Product Description Sheet

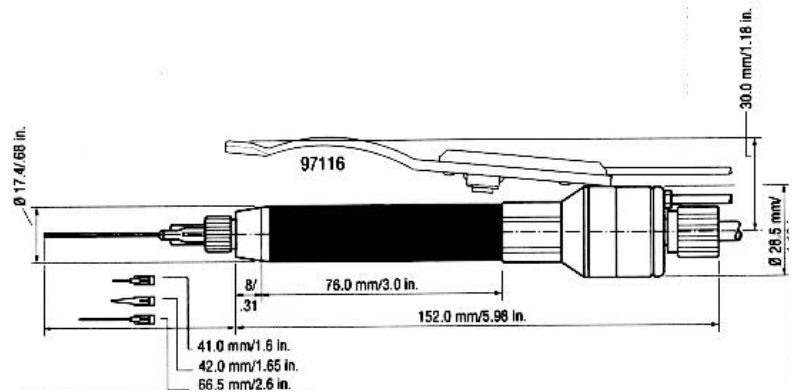
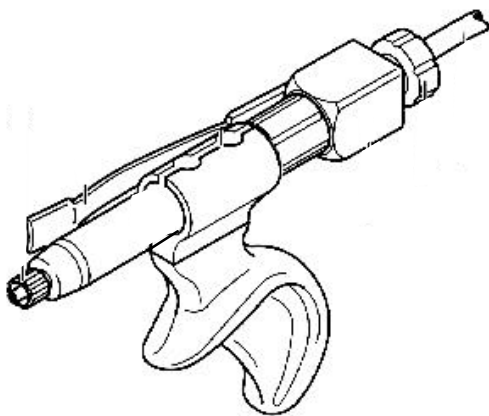
97116 Hand-Held Applicator

WorldWide Equipment, June 1996

Features & Benefits

- Ergonomically designed for hand comfort and application control
- Low actuation force to reduce hand fatigue
- Designed with a suck-back feature for dispensing accuracy and control
- Dispenses Loctite products up to 50,000 cP with 3/8" feedline
- Dispenses Loctite products up to 15,000 cP with 1/4" feedline
- Operational with semi-automatic controllers
- Worldwide Availability
- Worldwide Service

Valve Dimensions



Technical Data	
Pneumatic supply	Min 4 bar (60 psi), Max 7 bar (105 psi)
Pneumatic quality	Filtered 10 µm, oil free, non-condensing
Product feedline	6.3mm (1/4 in.)
Weight, pistol grip	0.115 kg (4 oz.)
Weight	0.340 kg (11.96 oz.)
Valve actuation	Pneumatic actuation with the finger switch
Items supplied	Needle kit & Pencil Holder
Optional items	3/8 Feedline Kit (97220)

NOT FOR PRODUCT SPECIFICATIONS
 PLEASE CONTACT LOCTITE CORPORATION FOR ASSISTANCE: 1- 800-LOCTITE (1-800-562-8483)

The data contained herein are furnished for information only and are believed to be reliable. We cannot assume responsibility for the results obtained by others over whose methods we have no control. It is the user's responsibility to determine suitability for the user's purpose of any production methods mentioned herein and to adopt such precautions as may be advisable for the protection of property and of persons against any hazards that may be involved in the handling and use thereof. In light of the foregoing, LOCTITE CORPORATION SPECIFICALLY DISCLAIMS ALL WARRANTIES EXPRESSED OR IMPLIED, INCLUDING WARRANTIES OF MERCHANTABILITY OR FITNESS FOR A PARTICULAR PURPOSE, ARISING FROM SALE OR USE OF LOCTITE CORPORATION'S PRODUCTS. LOCTITE CORPORATION SPECIFICALLY DISCLAIMS ANY LIABILITY FOR CONSEQUENTIAL OR INCIDENTAL DAMAGES OF ANY KIND, INCLUDING LOST PROFITS. The discussion herein of various processes or compositions is not to be interpreted as representation that they are free from domination of patents owned by others or as a license under any Loctite Corporation patents that may cover such processes or compositions. We recommend that each prospective user test his proposed application before repetitive use, using this data as a guide. This product may be covered by one or more United States or foreign patents or patent applications.

LOCTITE IS A TRADEMARK OF LOCTITE CORPORATION U.S.A.